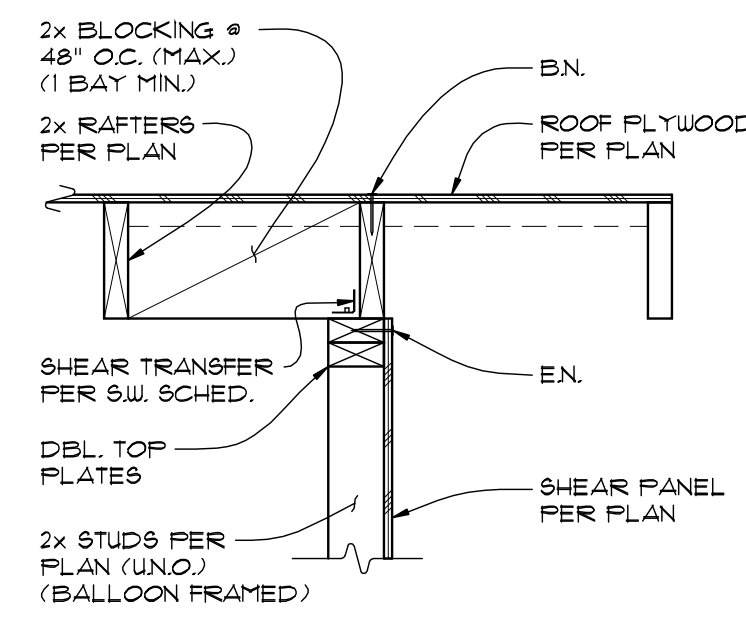


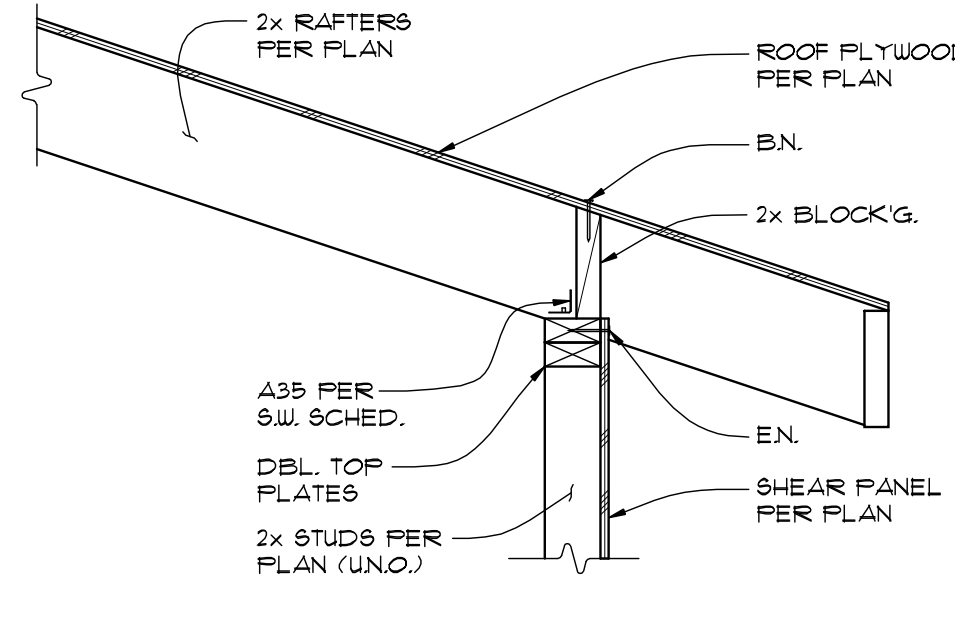
**SHEAR TRANSFER DETAIL** 28  
N WD RF 2x DR 2

NOTE:  
THIS DETAIL IS FOR SHEAR TRANSFER ONLY.  
FOR EAVE DETAIL, SEE ARCHITECTURAL PLANS.

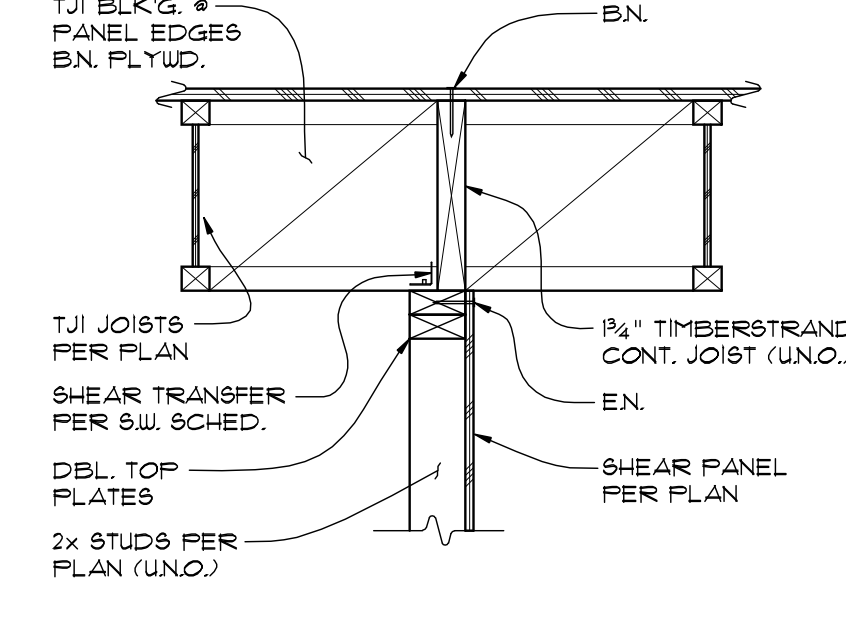


**SHEAR TRANSFER DETAIL** 25  
N WD RF 2x EX PA 1

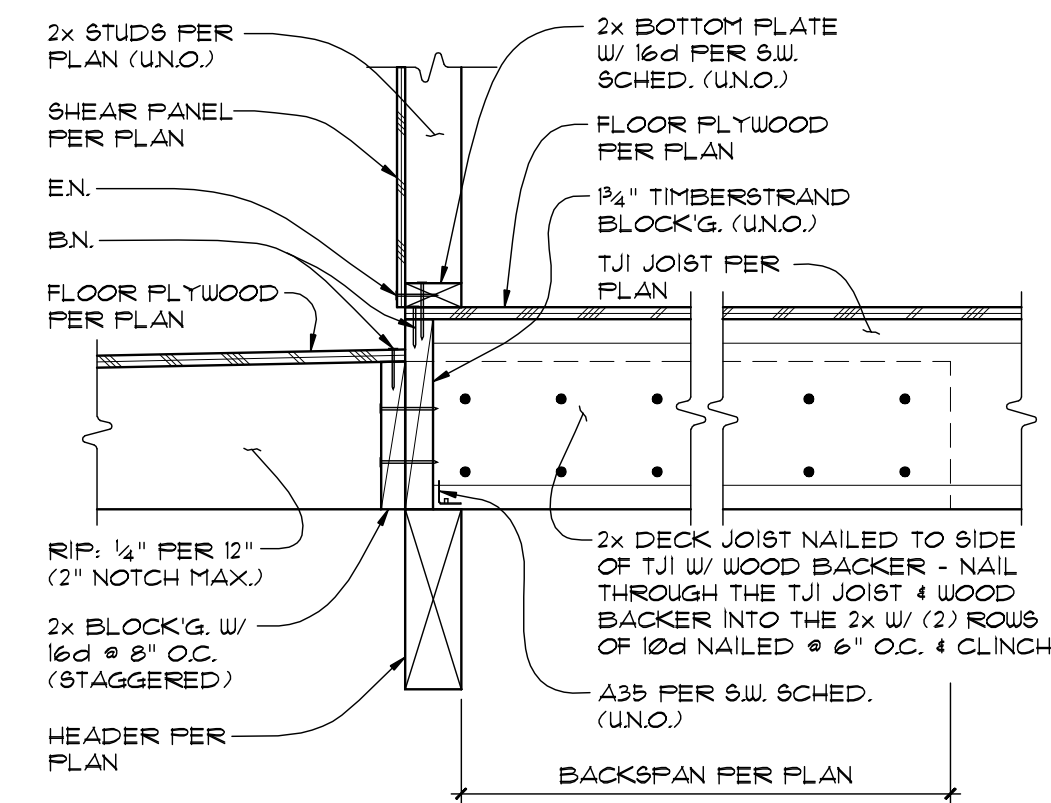
NOTE:  
THIS DETAIL IS FOR SHEAR TRANSFER ONLY.  
FOR EAVE DETAIL, SEE ARCHITECTURAL PLANS.



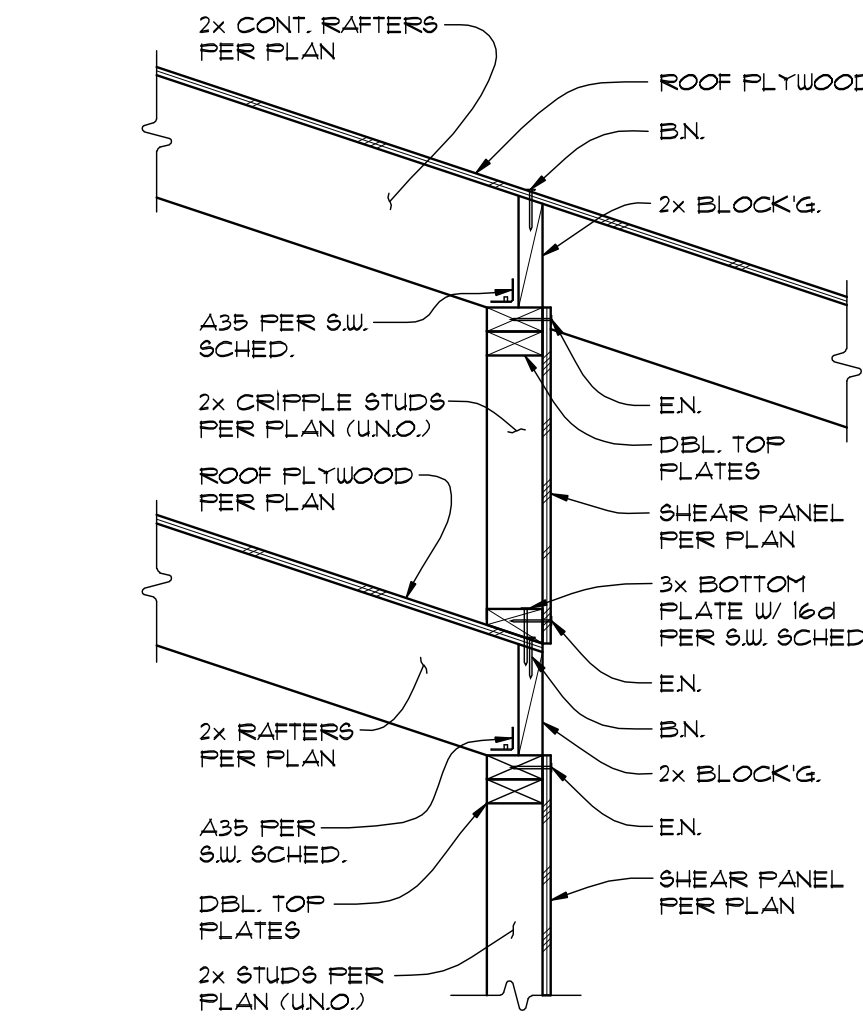
**SHEAR TRANSFER DETAIL** 22  
N WD RF 2x EX PE 3



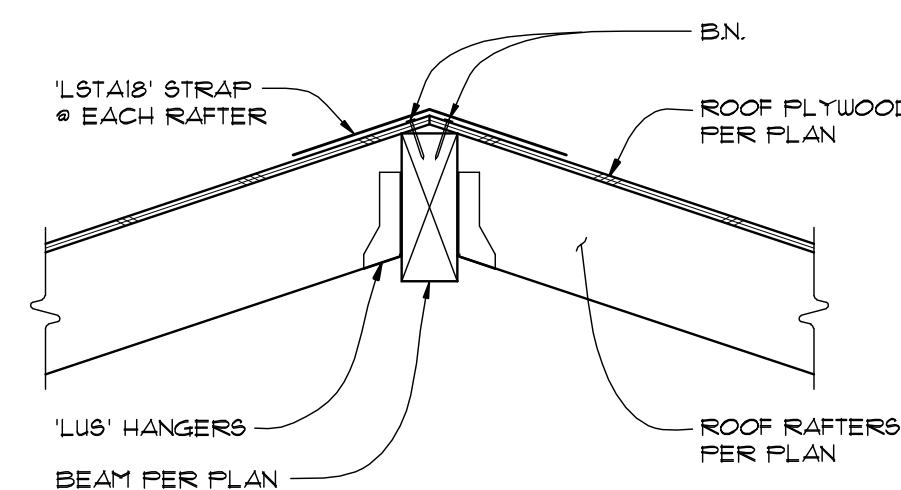
**SHEAR TRANSFER DETAIL** 19  
N WD FL TJ IN PA 2



**SHEAR TRANSFER DETAIL** 16  
N WD FL TJ DK IN PE 4

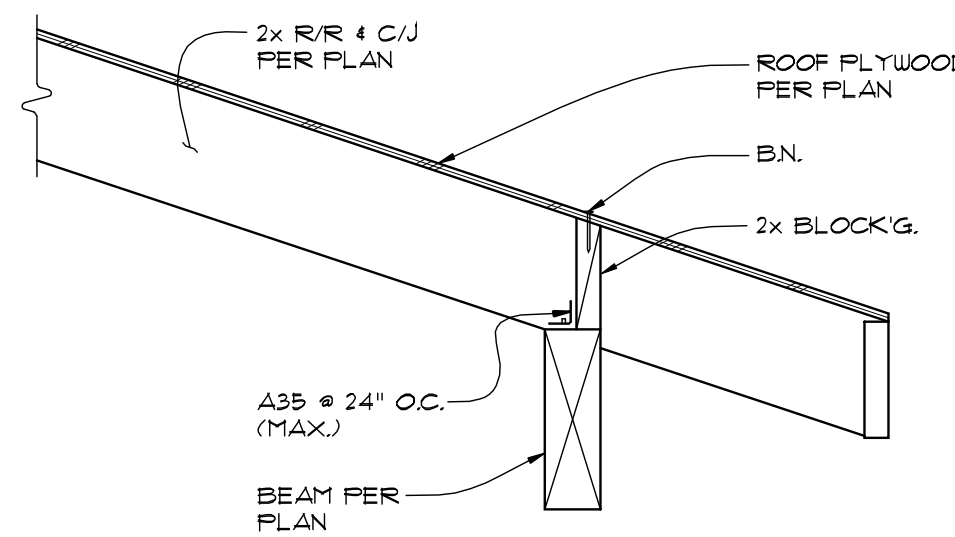


**SHEAR TRANSFER DETAIL** 29  
N WD RF 2x IN PE 14

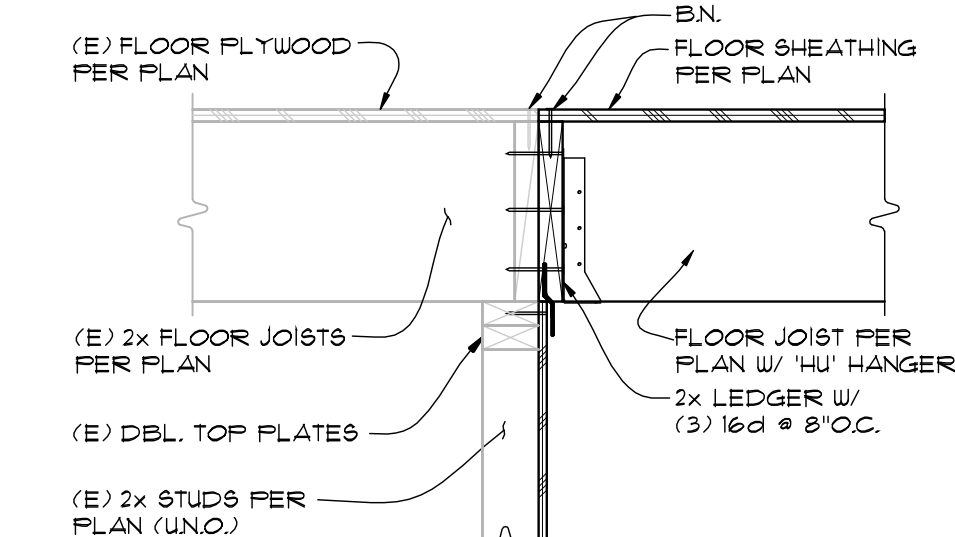


**RIDGE CONNECTION** 26  
N WD RF 2x IN PE 1

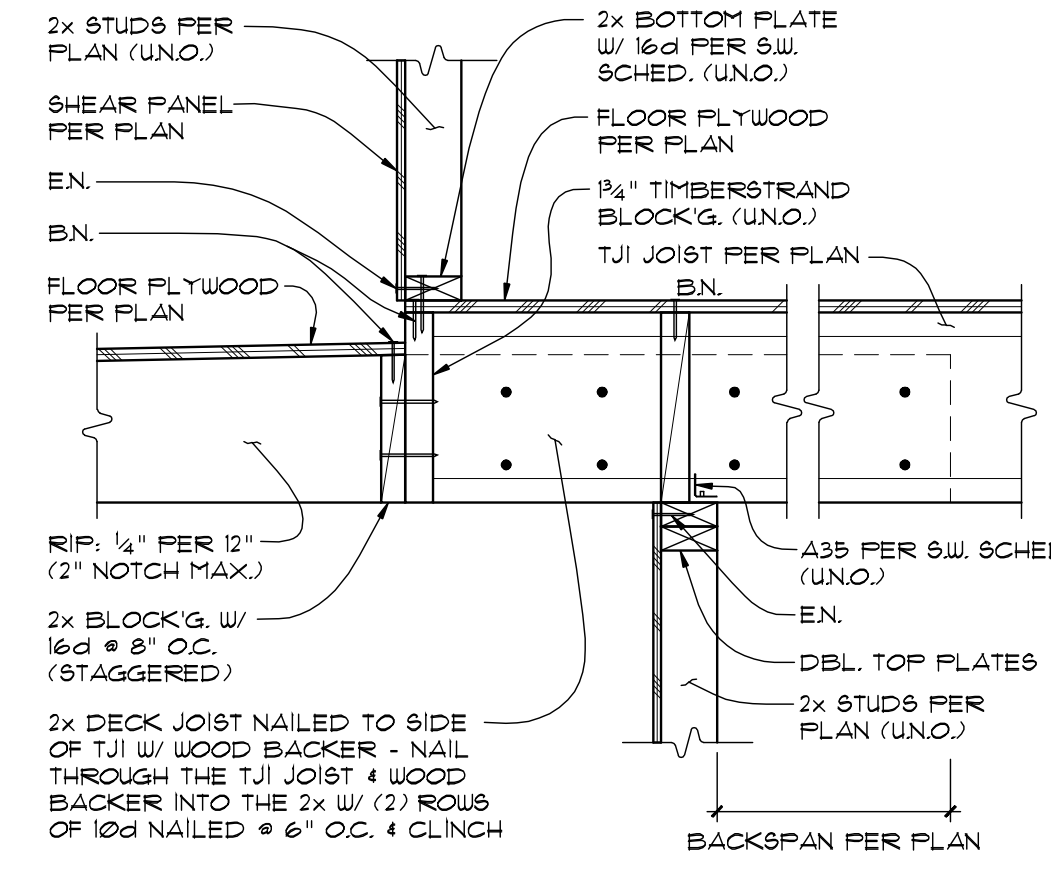
NOTE:  
THIS DETAIL IS FOR SHEAR TRANSFER ONLY.  
FOR EAVE DETAIL, SEE ARCHITECTURAL PLANS.



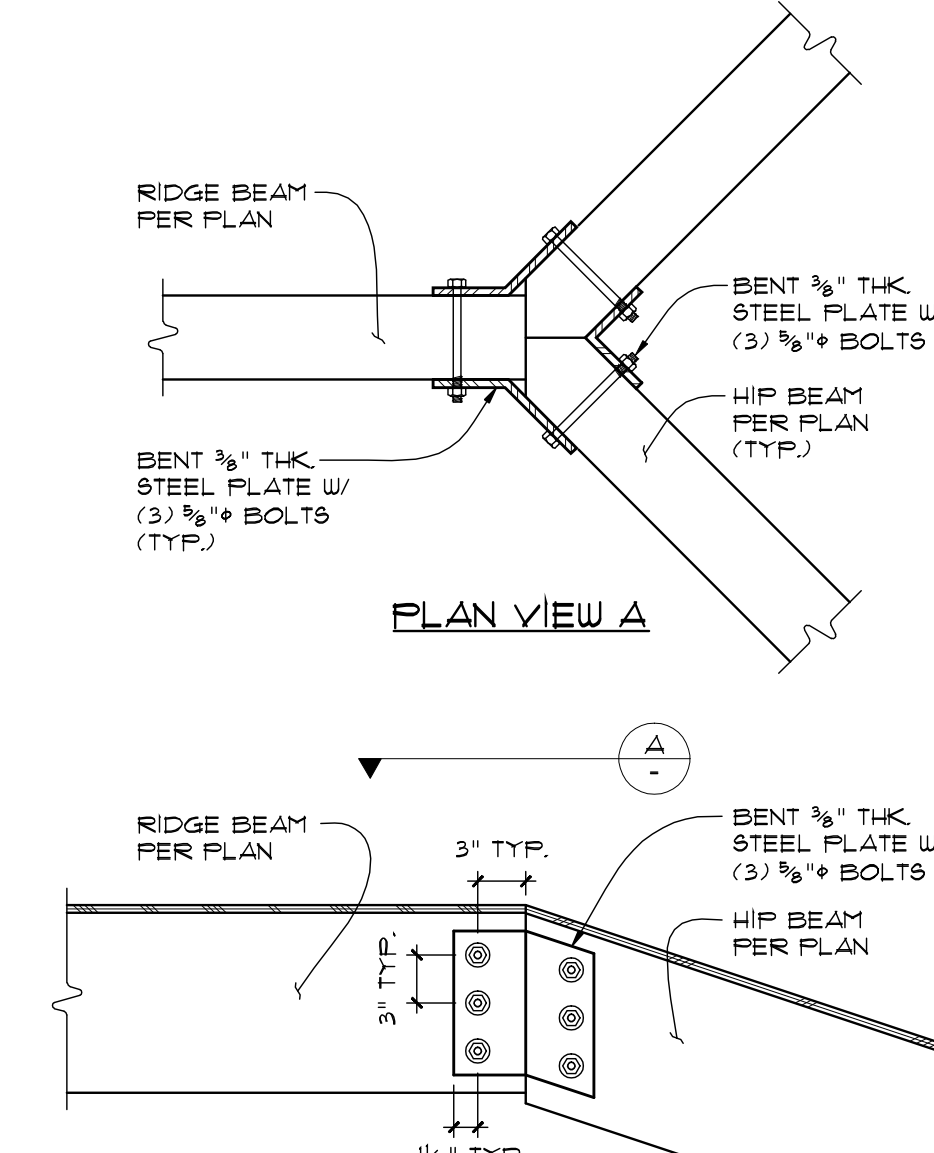
**SHEAR TRANSFER DETAIL** 23  
N WD RF 2x EX PE 4



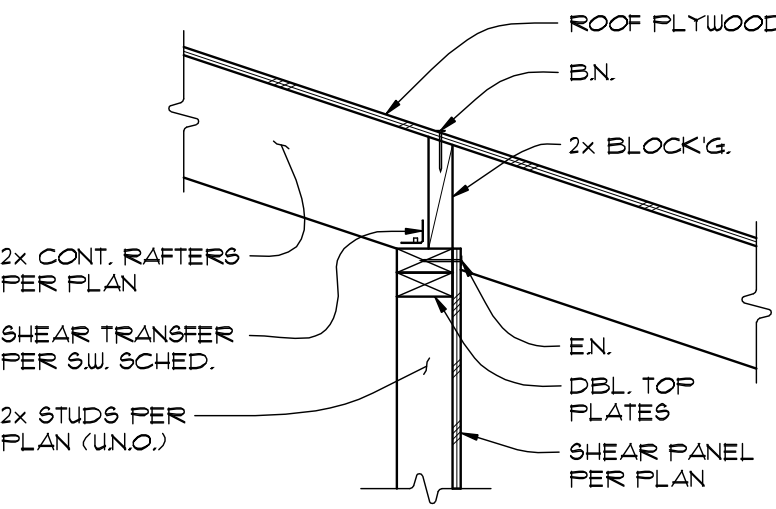
**SHEAR TRANSFER DETAIL** 20  
RE WD FL 2x IN NPL PE 1



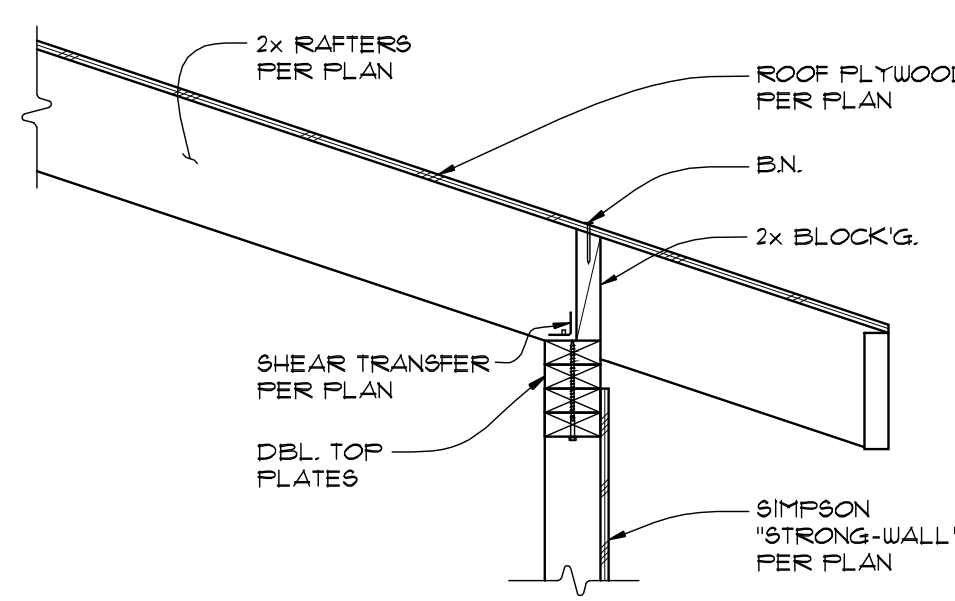
**SHEAR TRANSFER DETAIL** 17  
N WD FL TJ DK IN PE 4



**ROOF CONNECTION DETAIL** 30  
N WD RF CO 2

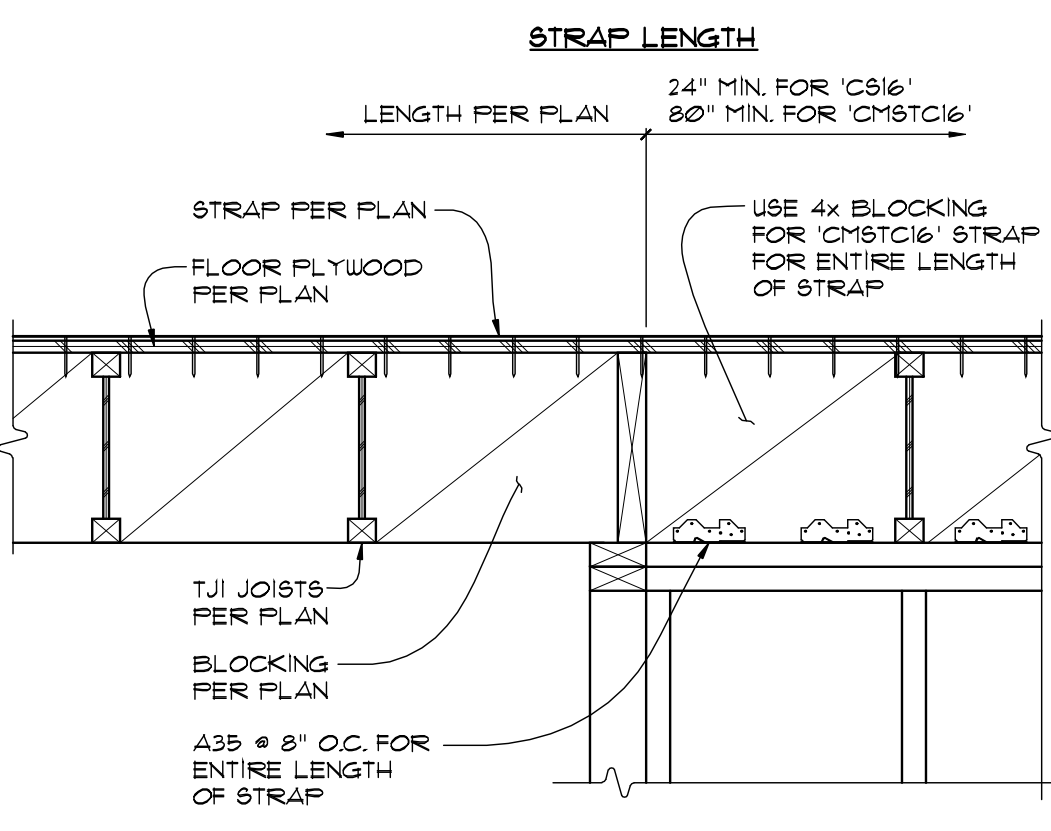


**SHEAR TRANSFER DETAIL** 27  
N WD RF 2x IN PE 11



**SHEAR TRANSFER DETAIL** 24  
N WD RF 2x EX PE 2

BLANK



**SHEAR TRANSFER DETAIL** 18  
N WD FL TJ DR 1

MCLEAN RESIDENCE  
161 ST. ANDREWS DRIVE  
APTOS, CA 95003

OASIS  
ARCHITECTURE  
&  
DESIGN

858-273-5632

1015  
TURQUOISE  
STREET  
SUITE 2  
SAN DIEGO, CA  
92109

THIS DRAWING, AS INSTRUMENT OF SERVICE, IS AND SHALL REMAIN THE PROPERTY OF THE ARCHITECT AND SHALL NOT BE REPRODUCED, COPIED, OR USED IN ANY WAY WITHOUT THE PERMISSION OF THE ARCHITECT.

THE CONTRACTOR SHALL VERIFY ALL DIMENSIONS AND EXISTING CONDITIONS AT THE SITE BEFORE PROCEEDING WITH EACH PHASE OF HIS WORK.

DRAWN BY MI	CHECKED BY MTL
DATE 12/20/05	JOB NO. J05408

STRUCTURAL  
DETAILS

A14.3

OF --